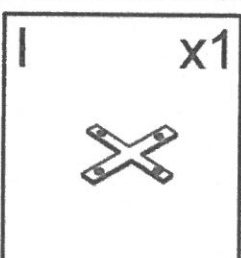
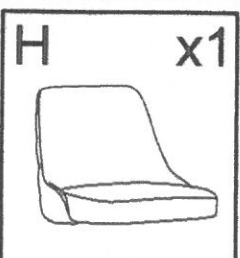
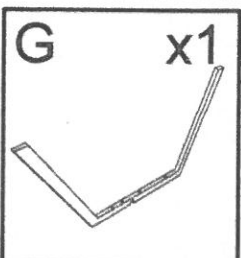
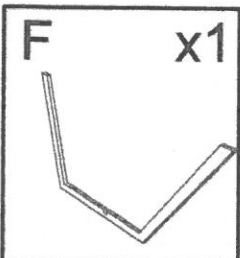
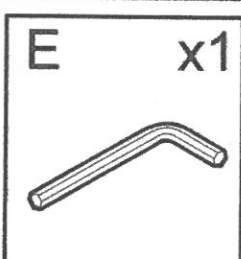
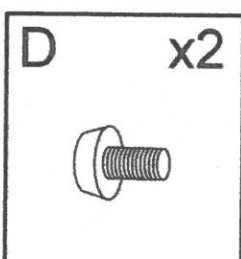
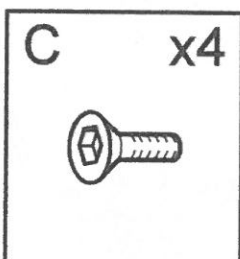
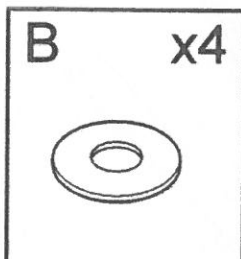
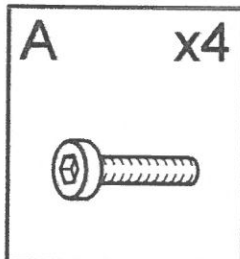
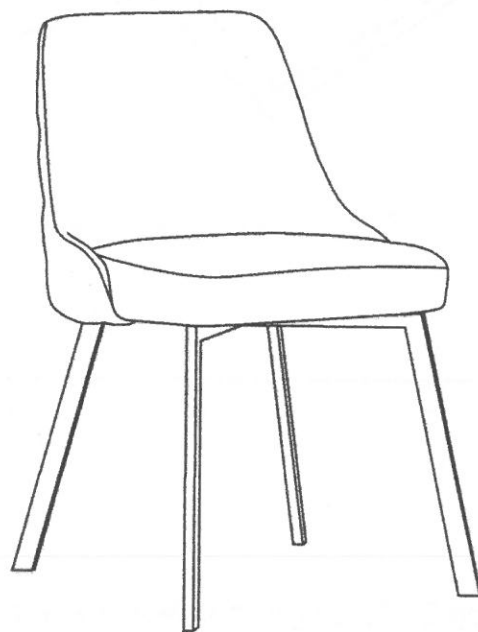
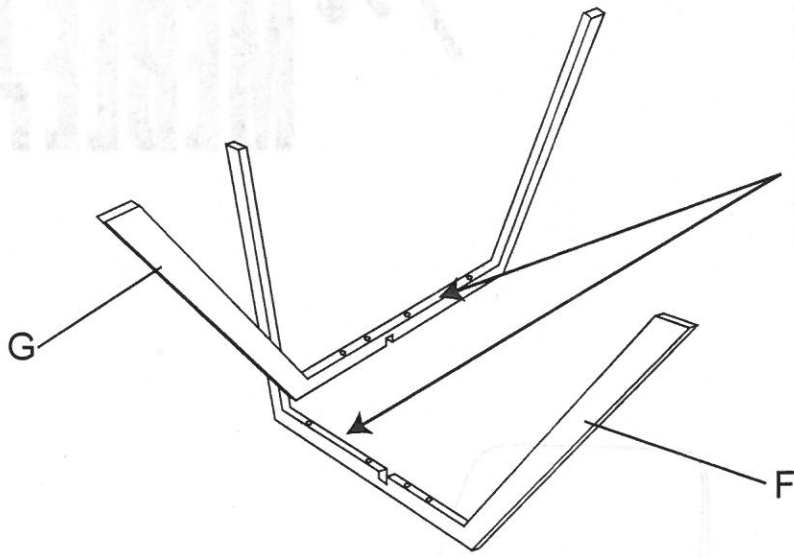


Moskata MEBLA



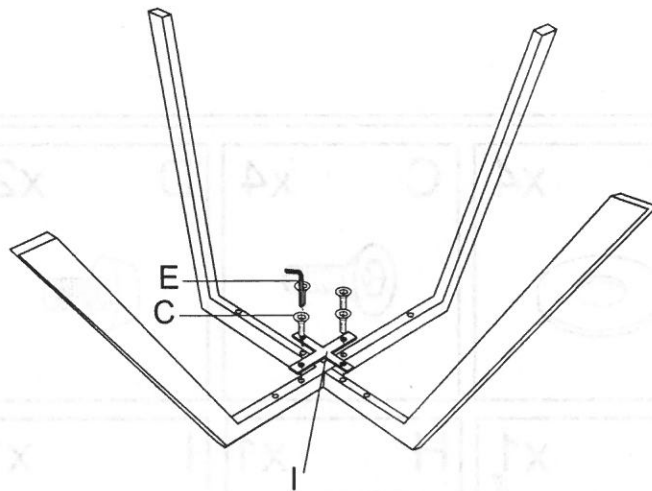
1



⚠
Longer side is the front.

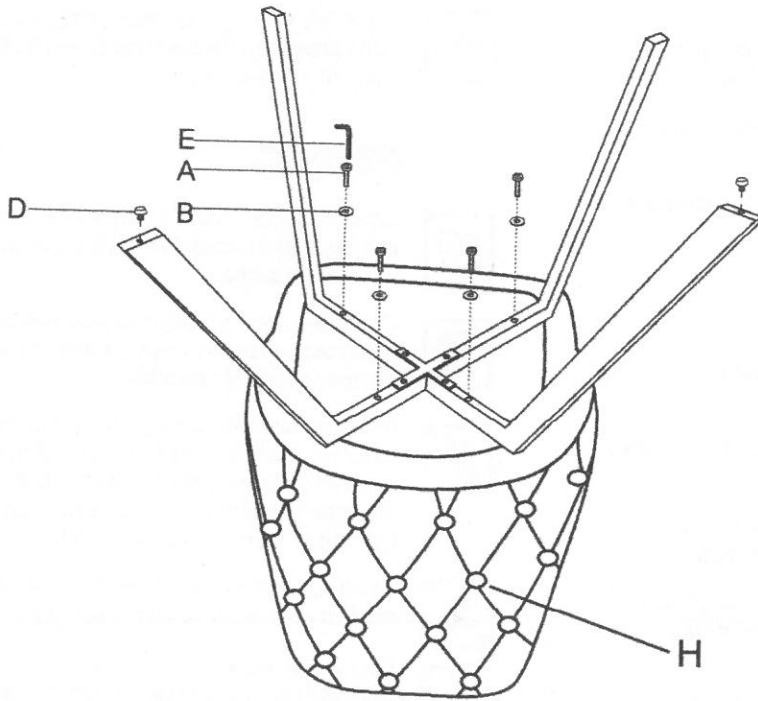
2

Step 2 : 50% tighten screw at this stage.



3

Step 3 : After all parts are in the right position, then 100% tighten up all screws before using.



4

